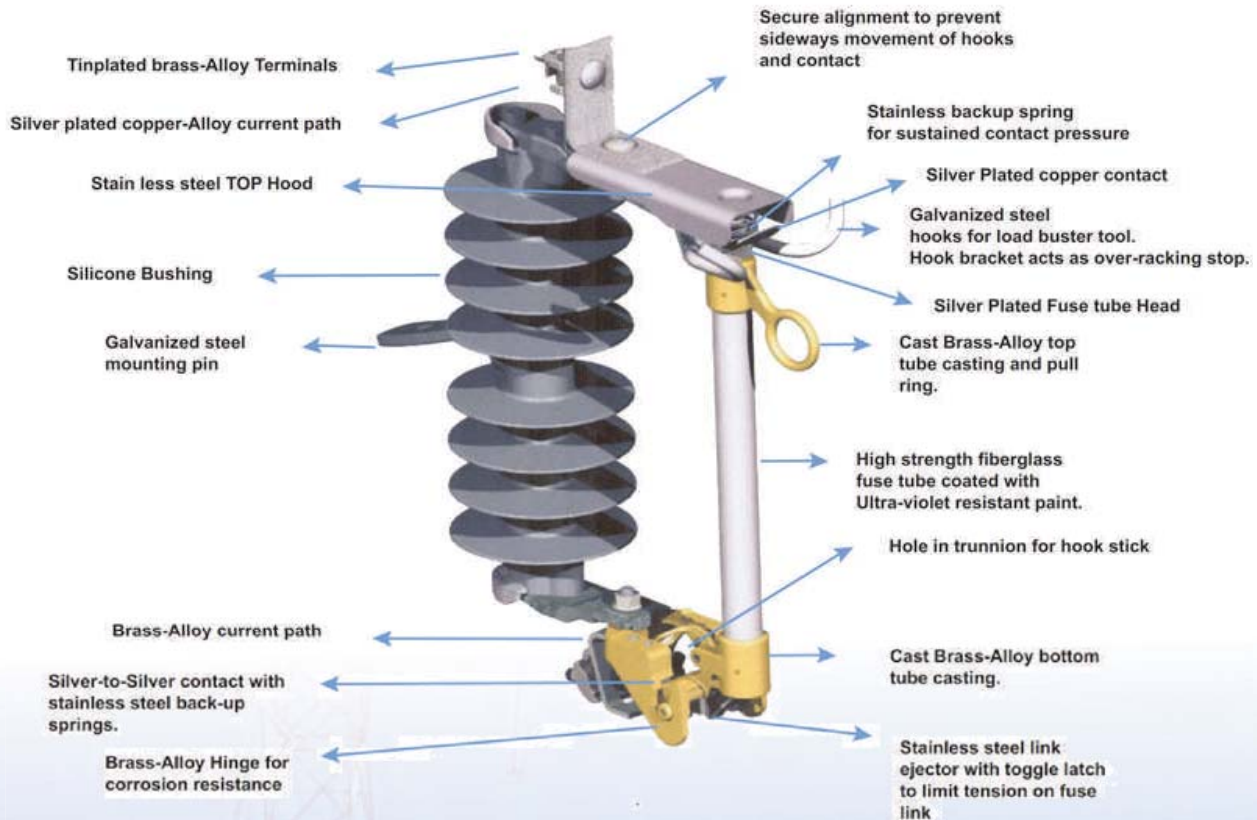


13.8-36 kV, 100A-200A EXPULSION FUSE CUTOUTS IN SILICONE RUBBER INSULATORS

The Expulsion Fuse Cutouts offer reliable mechanism for providing circuit protection in arial distribution systems for voltages ranging form 13.8 kV to 36 kV. It is designed to be installed outdoors for vertical cross arm or pole mounting. An all copper current path is designed to ensure efficient current flow. All contacts are in ETP grade copper and silver plated.

The heart center of the cutout is the fuse tube holder which has clearly distinguished outer layer of fibre glass and inner layer of bone liner which effectively extinguishers the arc. The out layer of the fuse tube has been given a layer of UV resistant paint to protect it against the deteriorating effects of the UV rays

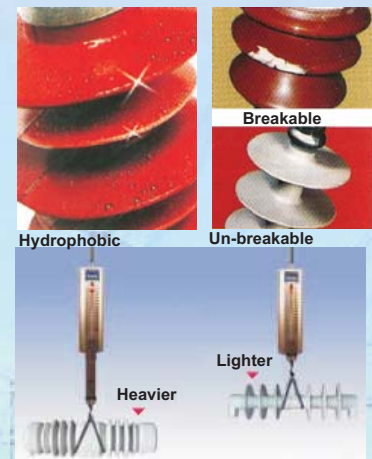
Our range of expulsion fuse cutouts have been type tested as per IEC 60282-2.



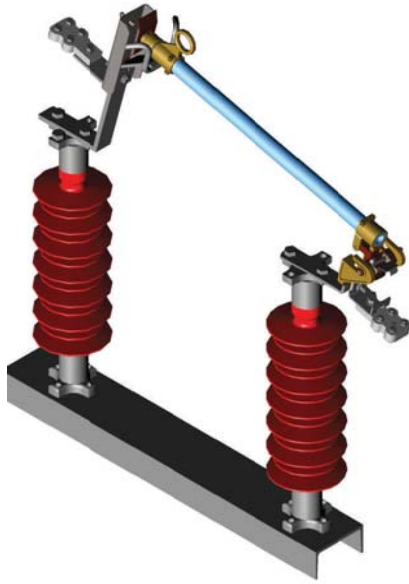
The Expulsion Fuse Cutouts are available in options of Porcelain & Silicone Rubber Insulators.

The expulsion fuse cutouts with Silicone base insulators are compact, light weight and robust enough to withstand shocks due to frequent operation. Silicone rubber insulators offer distinct advantages over its porcelain counterpart in terms of the following:

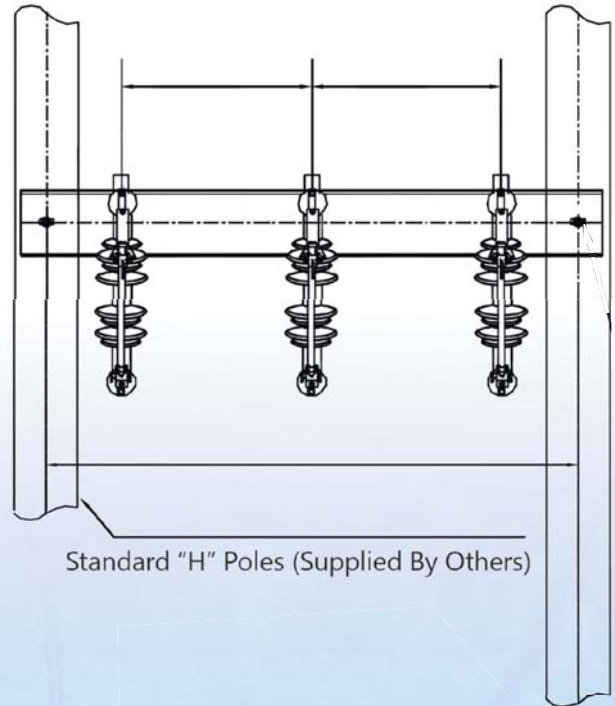
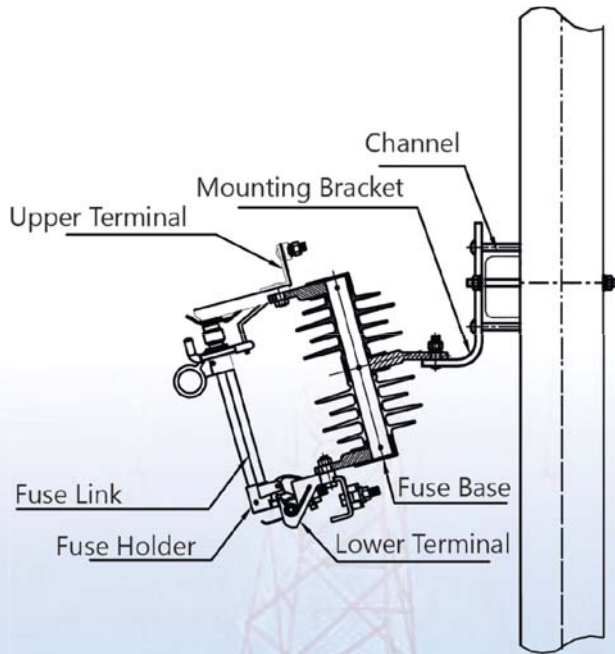
- ❖ The insulator are light weight and as much as 30% lighter than their porcelain counterparts
- ❖ They have ability to achieve higher creepage distances in the given length
- ❖ Hydrophobic & hence high pollution resistance
- ❖ Fire retardant
- ❖ Impact & vandal resistant. Un-breakable & hence reduces the risk of transport damages
- ❖ High surface resistance limits leakage currents & hence higher pollution withstand
- ❖ Highly resistive to Ozone & UV radiations
- ❖ Resistant to earthquake shocks



The cutouts are supplied complete with mounting clamps & necessary galvanized hardware.



Description	Values	
	13.8kV	33kV
System Voltage	13.8kV	33kV
Maximum design voltage	15.2kV	36kV
Continuous current capacity	100A-200A	100A-200A
Nominal creepage distance	660mm	825-1320mm
Power Frequency withstand voltage		
- To Earth & between poles	38kV	70kV
- Across insulating distance	45kV	80kV



شركة ميمف للصناعات الكهربائية
MEMF Electrical Industries Co.

P.O. Box 355989 Riyadh 11383 Kingdom of Saudi Arabia

Factory Tel.: 00 966 11 265 0515 (8 Lines)-Fax.: 00 966 11 265 0360

Head Office Tel. : 00 966 11 496 6667 - Fax. : 00 966 11 491 7919

ص.ب ٣٥٥٩٨٩ الرياض ١١٣٨٣ المملكة العربية السعودية

مصنع هاتف: ٠٥١٥ ١١ ٢٦٥ ٠٩٦٦ (٨ خطوط) - فاكس: ٠٣٦٠ ١١ ٢٦٥ ٠٩٦٦

مكتب الرئيسي هاتف: ٤٩٦٦٦٦٧ ١١ ٩٦٦٦ - فاكس: ١١٤٩١٧٩١٩ ٠٩٦٦

Web site: www.memf.com.sa

البريد الإلكتروني sales.memf@kfbgroup.com.sa