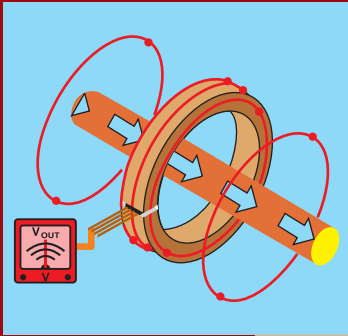




Instrument Transformers

Measurement - Protection - Control With Precision



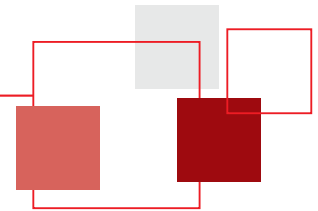


MEMF is a leader in design and manufacturing of Instrument Transformer and home of Low Voltage electrical products in Kingdom of Saudi Arabia. For over 12 years MEMF has served many industries in MIDDLE EAST with a commitment to quality and service. To better serve the power and energy monitoring industry, MEMF offers a standard line of Block, toroidal, rectangle & split core current transformers. Precision Potential and Control Transformers. Instrument Transformer are highly accurate and are all individually tested at rated burdens.

MEMF has wide range of production line fully equipped state-of -the art manufacturing facility, can offer best of both quality and delivery with competitive pricing.

MEMF is an ISO 9001:2008 certified company, maintaining our tradition of quality and continual process improvement.

“Quality is never an accident: it is always the result of high intention, sincere effort, intelligent direction and skillful execution; it represents th wise choice of many alternatives.”

**Instrument Transformers**

Measurement - Protection - Control - With Precision

CONTENTS	PAGES
Low Voltage Current Transformers	2
Split Core Current Transformers	13
Instrument Transformers	14
Medium Voltage Current And Voltage Transformers	17
Indoor Medium Voltage Potential Transformers Single & Double Pole	18
Medium Voltage Potential Transformers As Per IEC-60044-2	18
Single Pole Voltage Transformer	18
Double Pole Voltage Transformer	18
Industrial Control Transformers	19
Low Voltage Single Phase Cast Resin Control Transformer	20
Low Voltage Measuring Potential Transformers.	21
Three Phase Voltage Stabiliser	22
Three Phase Cast Resin Transformer	22
Filtering Inductor For Capacitor Banks	22
Single & Three Phase Manual Cast Resin Variable Auto-transformer	22

Follow Us:<https://www.facebook.com/MiddleEastElectricMeterFactory><http://www.linkedin.com/company/3112160><https://twitter.com/memfksa><http://www.youtube.com/MEMFRiyadh>

Low Voltage Current Transformers

Maximum System Voltage : 720 V
 Secondary Current : 5A Or 1A, 1.5A
 Bil : 0.72/3/6 kV
 Extended Range: 120%

Thermal Current (I_{th}) : I_n x 60
 Dynamic Current (I_{dyn}) : 2.6 x I_{th}
 Covers: Polycarbonate
 Insulation Class B



Ref: Standard as per: IEC-60044-1/ANSI/IEEE C57.13 1978

Low voltage Metering Current Transformers with polycarbonate casing is available in versatile application of Bus Bar and Cable mountings with accuracy class up to 0.2, designed to cater all panel board manufactures needs. Transparent terminal cover with sealing facility provides secure connectivity without interruption.

Salient Features of Polycarbonate Casing

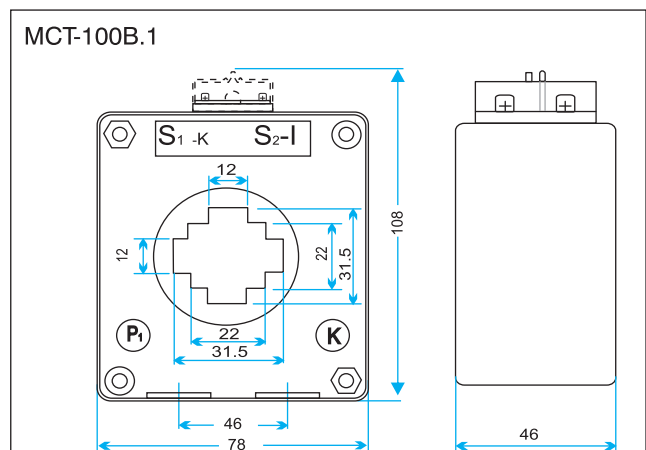
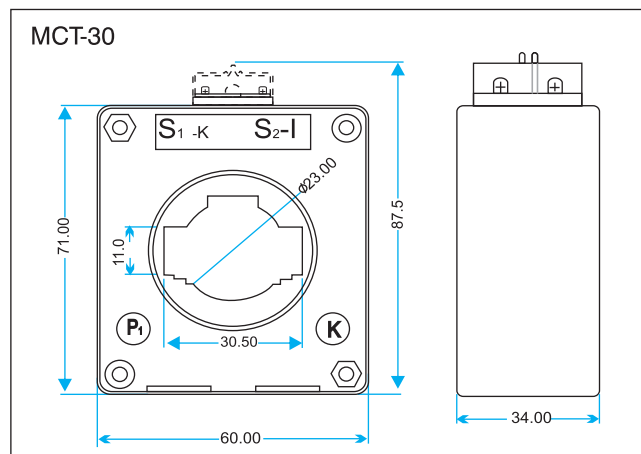
- Excellent Physical Properties
- Excellent Toughness
- Very Good Heat Resistance
- Impact Strength

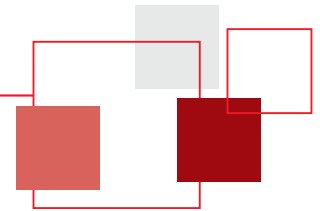
MEMF Make current transformers are first choice of switchgear builders due Quality ,adaptability and adequate in size.

Accuracy Class	+/- Percentage Current (Ratio) Error at Percentage of rated current				+/- Percentage Current (Ratio) Error at Percentage of rated current			
	5	20	100	120	5	20	100	120
–	5	20	100	120	5	20	100	120
0.2	0.75	0.35	0.2	0.2	30	15	10	10
0.5	1.5	0.75	0.5	0.5	90	45	30	30
1.0	3.0	1.5	1.0	1.0	180	90	60	60
3.0			3.0					
5P	–	–	1.0	–	–	–	60	–
10P	–	–	3.0	–	–	–	–	–

Rated Primary Current	ACCURACY CLASS @ VA		
	0.5	1.0	3.0
MCT-30			
100	–	–	1.25
150	–	1.25	2.5
200	1.25	2.50	–
250	2.50	5.00	–
300	5.00	7.50	–
400	5.00	7.50	–
500	5.00	10.0	–
600	10.0	15.0	–
750	10.0	15.0	–

MCT-100B.1			
50	–	–	1.25
100	1.25	5.00	–
150	2.5	7.50	–
200	10.0	15.0	–
250	10.0	15.0	–
300	10.0	15.0	–
400	10.0	15.0	–
500	10.0	15.0	–
600	10.0	15.0	–
750	10.0	15.0	–



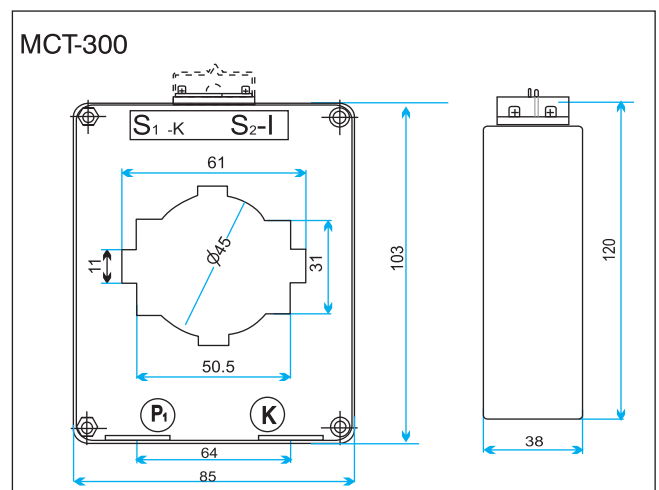
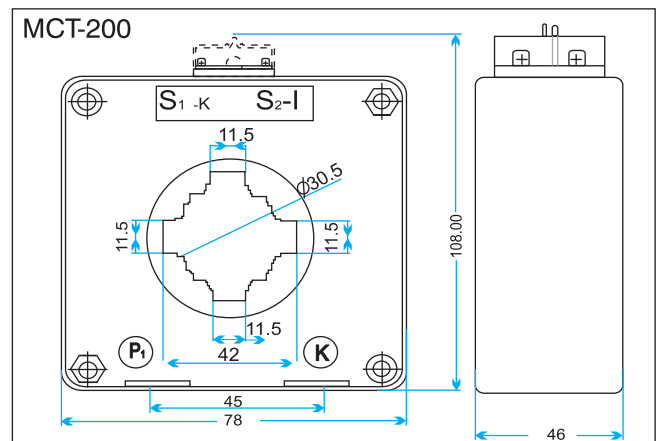
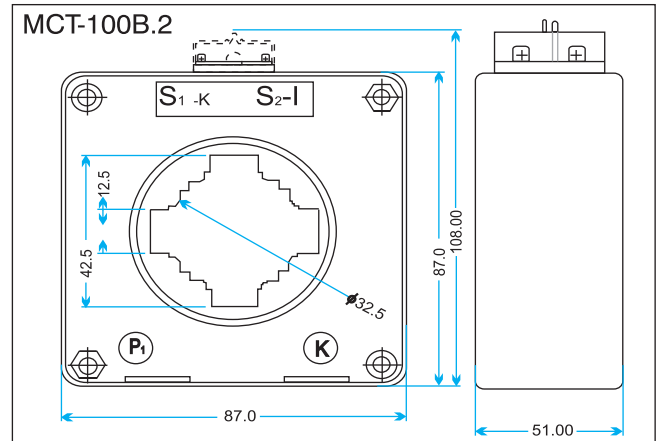


Low Voltage Current Transformers

Rated Primary Current	ACCURACY CLASS @ VA		
	0.5	1.0	3.0
MCT-100B.2			
50	-	-	1.25
100	-	5.00	-
150	5.00	7.50	-
200	10.0	15.0	-
250	10.0	15.0	-
300	10.0	15.0	-
400	10.0	15.0	-
500	10.0	15.0	-
600	10.0	15.0	-
750	15.0	20.0	-
800	15.0	20.0	-
1000	15.0	20.0	-
1250	15.0	20.0	-

MCT-200			
200	2.50	5.00	-
250	2.50	5.00	-
300	10.0	15.0	-
400	10.0	15.0	-
500	10.0	15.0	-
600	10.0	15.0	-
750	10.0	15.0	-
800	15.0	20.0	-
1000	15.0	20.0	-
1200	15.0	20.0	-
1250	15.0	20.0	-

MCT-300			
250	-	2.5	-
300	5.00	7.5	-
400	5.00	10.0	-
500	5.00	10.0	-
600	5.00	10.0	-
750	10.0	15.0	-
800	10.0	15.0	-
1000	10.0	15.0	-
1200	15.0	20	-
1250	15.0	20	-
1500	15.0	20	-
1600	15.0	20	-

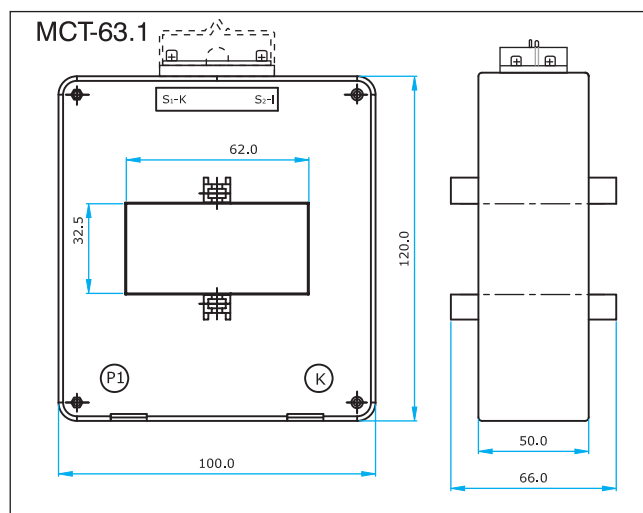
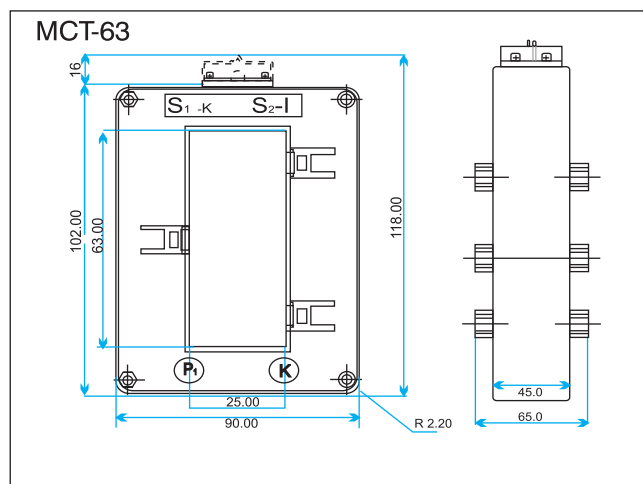
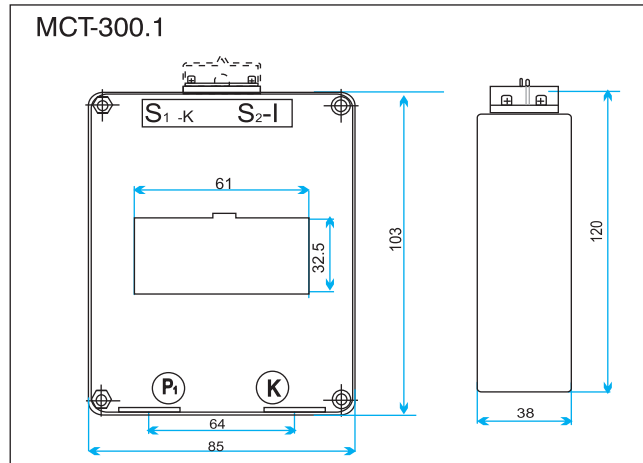


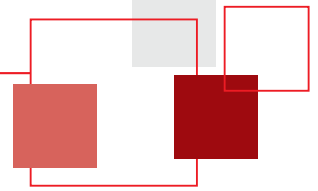
Low Voltage Current Transformers

Rated Primary Current	ACCURACY CLASS @ VA		
	0.5	1.0	3.0
MCT-300.1			
300	5.00	2.5	-
400	7.5	10.0	--
500	10.0	15.0	-
600	10.0	15.0	-
750	10.0	15.0	-
1000	10.0	15.0	-
1200	15.0	15.0	-
1250	15.0	20	-
1500	15.0	20	-
1600	15.0	20	-

MCT-63			
150	5.00	10.0	-
200	7.50	15.0	-
250	10.0	15.0	-
300	10.0	15.0	-
400	10.0	15.0	-
500	10.0	15.0	-
600	10.0	15.0	-
750	10.0	15.0	-
800	10.0	15.0	-
1000	15.0	20.0	-
1250	15.0	20.0	-
1500	15.0	20.0	-
1600	15.0	20.0	-

MCT-63.1			
100	1.25	5.0	-
150	2.5	7.5	--
250	5.0	7.5	-
300	10.0	15.0	-
400	10.0	15.0	-
500	10.0	15.0	-
600	10.0	15.0	-
750	10.0	15.0	-
800	15.0	20.0	-
1000	15.0	20.0	-
1200	15.0	20.0	-
1250	15.0	20.0	-
1500	30.0	..	-
1600	30.0	..	-
2000	30.0	..	-



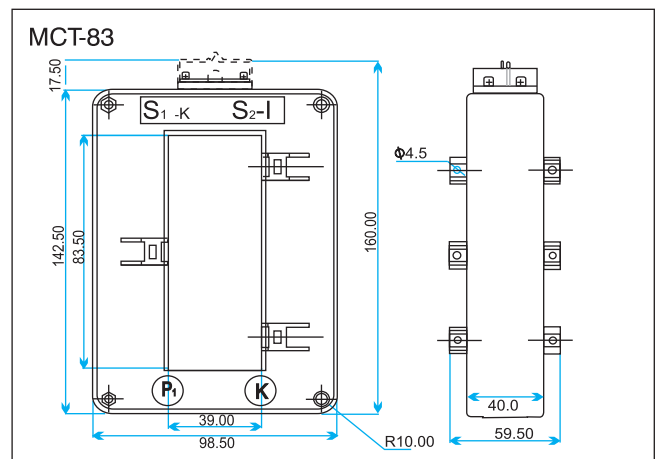
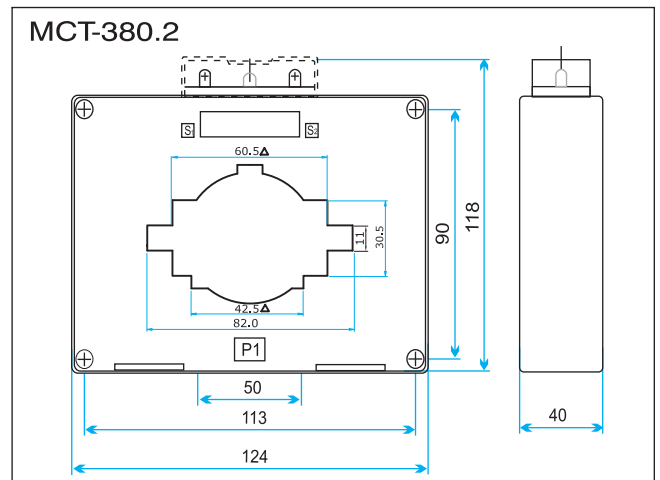
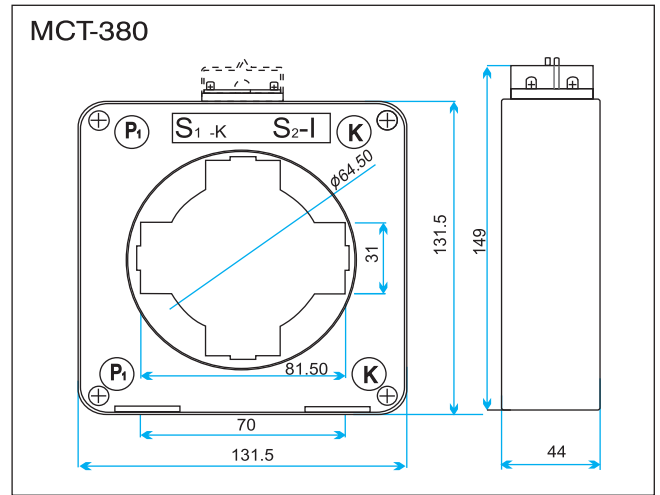


Low Voltage Current Transformers

Rated Primary Current	ACCURACY CLASS @ VA		
	0.5	1.0	3.0
MCT-380			
150	–	2.5	–
200	1.25	5.00	–
250	2.5	5.00	–
300	5.0	7.50	–
400	10.0	15.0	–
500	10.0	15.0	–
600	10.0	15.0	–
750	10.0	15.0	–
1000	15.0	30.0	–
1200	15.0	30.0	–
1250	15.0	30.0	–
1500	15.0	30.0	–
1600	15.0	30.0	–
2000	15.0	30.0	–
2500	30.0	–	–
3000	30.0	–	–

MCT-380.2			
500	10.0	15.0	–
600	10.0	15.0	–
750	10.0	15.0	–
1000	15.0	20.0	–
1200	15.0	20.0	–
1250	15.0	20.0	–
1500	15.0	20.0	–
1600	15.0	20.0	–
2000	15.0	20.0	–
2500	15.0	20.0	–
3000	15.0	20.0	–

MCT-83			
500	10.0	15.0	–
600	10.0	15.0	–
750	10.0	15.0	–
1000	15.0	20.0	–
1200	15.0	20.0	–
1250	15.0	20.0	–
1500	30.0	–	–
1600	30.0	–	–
2000	30.0	–	–
2500	30.0	–	–
3000	30.0	–	–

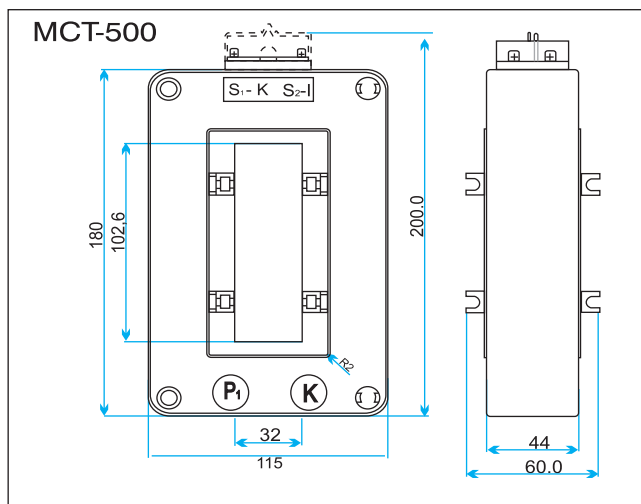
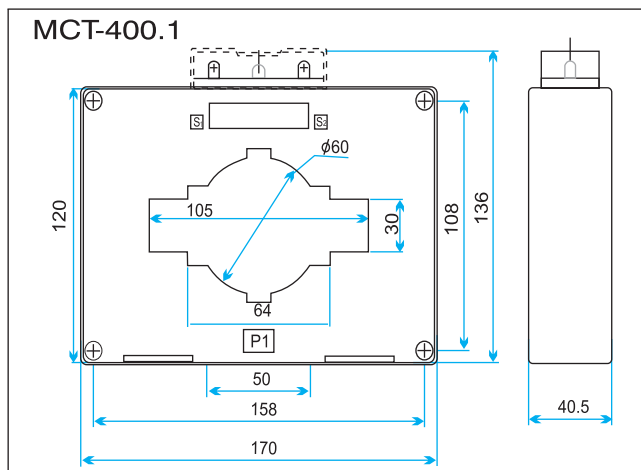
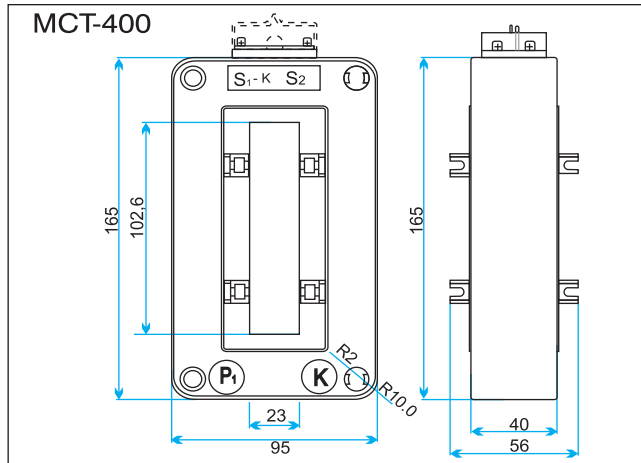


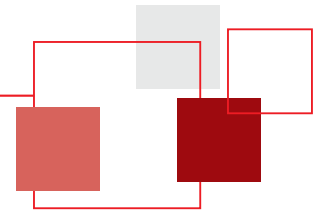
Low Voltage Current Transformers

Rated Primary Current	ACCURACY CLASS @ VA		
	0.5	1.0	3.0
MCT-400			
500	10.0	15.0	—
600	10.0	15.0	—
750	10.0	20.0	—
800	15.0	20.0	—
1000	15.0	20.0	—
1200	15.0	20.0	—
1250	15.0	20.0	—
1500	15.0	20.0	—
1600	15.0	30.0	—
2000	30.0	—	—

MCT-400.1			
500	10.0	15.0	—
750	10.0	15.0	—
800	15.0	20.0	—
1000	15.0	20.0	—
1200	15.0	20.0	—
1250	15.0	20.0	—
1500	15.0	20.0	—
1600	15.0	20.0	—
2000	15.0	20.0	—
2500	15.0	20.0	—
3000	15.0	20.0	—

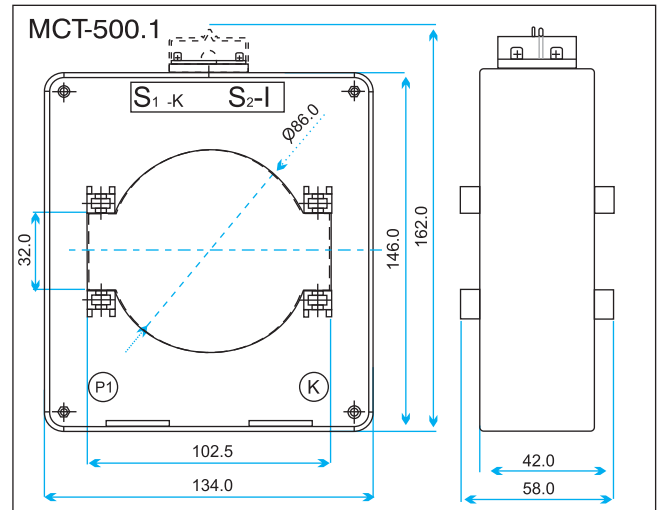
MCT-500			
500	5.00	10.0	—
750	10.0	15.0	—
1000	10.0	15.0	—
1200	15.0	20.0	—
1250	15.0	20.0	—
1500	15.0	20.0	—
1600	15.0	20.0	—
2000	15.0	20.0	—
2500	15.0	20.0	—
3000	15.0	20.0	—
3200	15.0	20.0	—
3500	15.0	20.0	—
4000	15.0	20.0	—



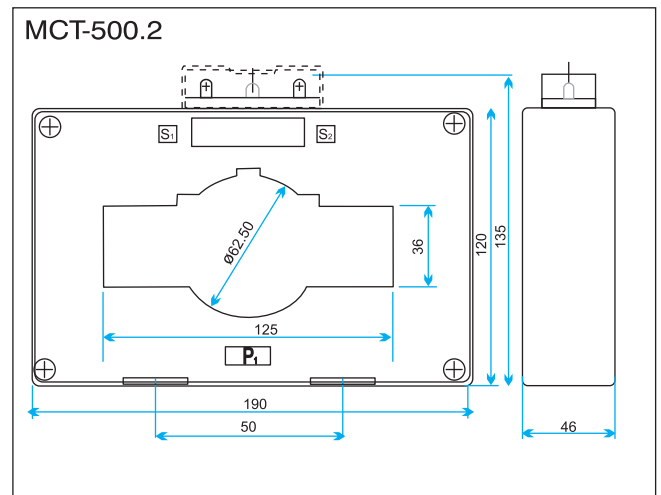


Low Voltage Current Transformers

Rated Primary Current	ACCURACY CLASS @ VA		
	0.5	1.0	3.0
MCT-500.1			
500	10.0	15.0	—
750	10.0	15.0	—
1000	10.0	15.0	—
1250	15.0	20.0	—
1500	15.0	20.0	—
1600	15.0	20.0	—
2000	15.0	20.0	—
2500	15.0	20.0	—
3000	15.0	20.0	—
3200	15.0	20.0	—
3500	15.0	20.0	—
4000	15.0	20.0	—

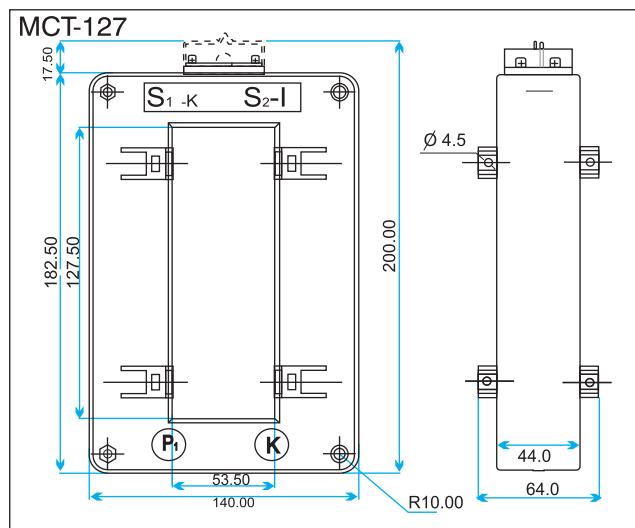


MCT-500.2			
500	5.00	10.0	—
600	10.0	15.0	—
750	10.0	15.0	—
1000	10.0	15.0	—
1250	15.0	20.0	—
1500	15.0	20.0	—
1600	15.0	20.0	—
2000	15.0	20.0	—
2500	15.0	20.0	—
3000	15.0	20.0	—
3200	15.0	20.0	—
3500	15.0	20.0	—
4000	15.0	20.0	—
5000	15.0	20.0	—

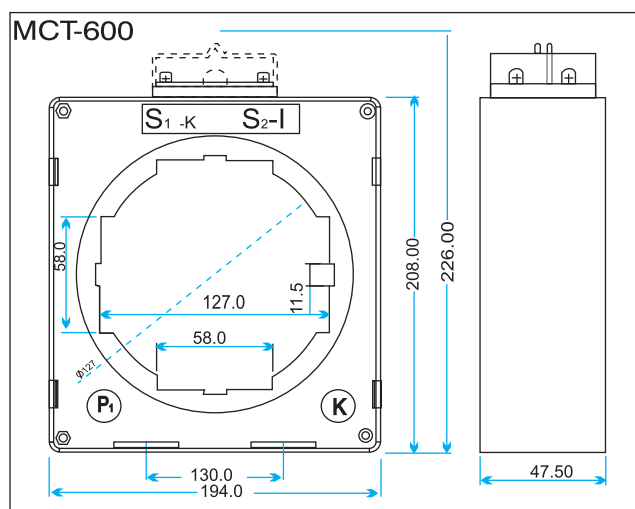


Low Voltage Current Transformers

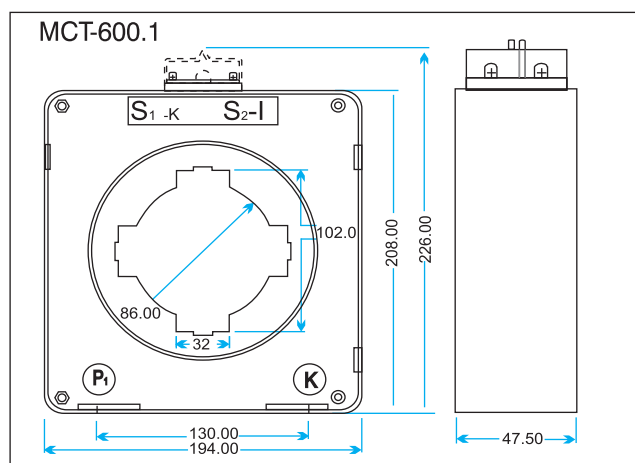
Rated Primary Current	ACCURACY CLASS @ VA		
	0.5	1.0	3.0
MCT-127			
750	10.0	15.0	—
1000	15.0	20.0	—
1250	15.0	20.0	—
1500	30.0	—	—
1600	30.0	—	—
2000	30.0	—	—
2500	30.0	—	—
3000	30.0	—	—
3500	30.0	—	—
4000	30.0	—	—
5000	30.0	—	—
6000	30.0	—	—

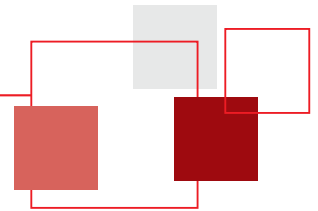


MCT-600			
500	10.0	15.0	—
750	15.0	20.0	—
1000	15.0	20.0	—
1250	30.0	—	—
1500	30.0	—	—
1600	30.0	—	—
2000	30.0	—	—
2500	30.0	—	—
3000	30.0	—	—
3500	30.0	—	—
4000	30.0	—	—
5000	30.0	—	—
6000	30.0	—	—



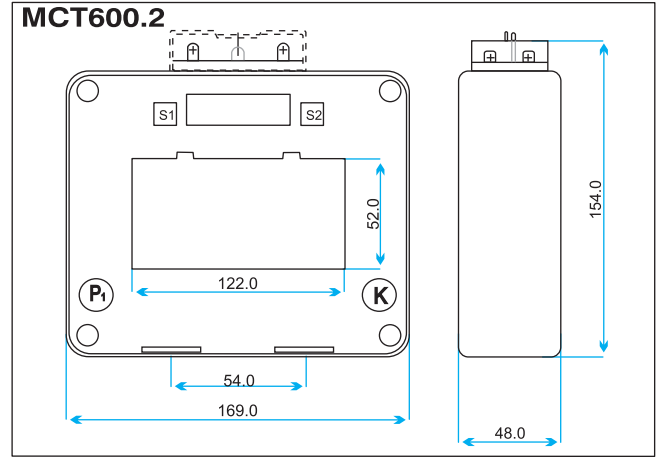
MCT-600.1			
500	5.00	15.0	—
750	10.0	15.0	—
1000	10.0	15.0	—
1250	15.0	15.0	—
1500	15.0	30.0	—
1600	15.0	30.0	—
2000	15.0	30.0	—
2500	15.0	30.0	—
3000	15.0	30.0	—
3200	15.0	30.0	—
3500	15.0	30.0	—
4000	15.0	30.0	—



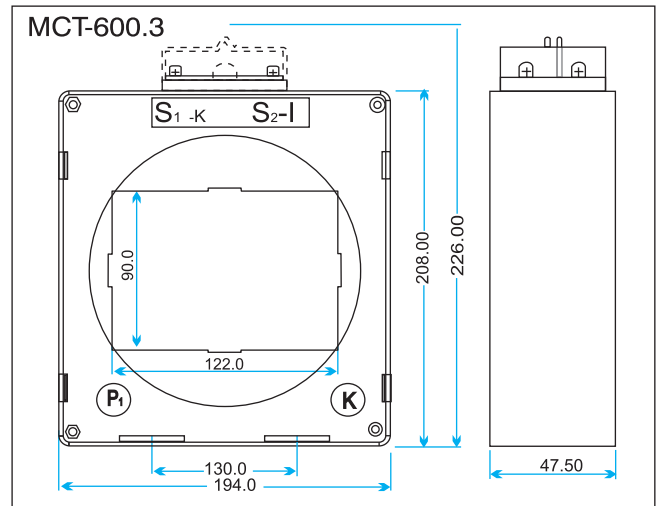


Low Voltage Current Transformers

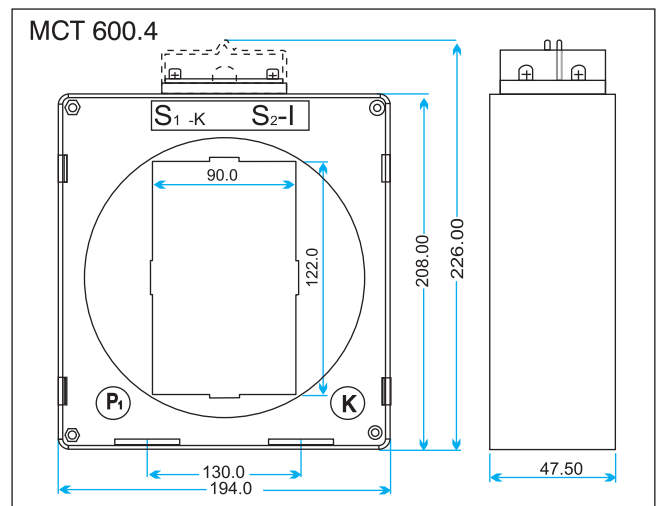
Rated Primary Current	ACCURACY CLASS @ VA		
	0.5	1.0	3.0
MCT-600.2			
500	5.00	10.0	–
750	10.0	15.0	–
1000	10.0	15.0	–
1250	15.0	20.0	–
1500	15.0	20.0	–
1600	15.0	20.0	–
2000	15.0	20.0	–
2500	15.0	20.0	–
3000	15.0	20.0	–
3200	15.0	20.0	–
3500	15.0	20.0	–
4000	15.0	20.0	–



MCT-600.3			
750	15.0	20.0	–
1000	15.0	20.0	–
1250	30.0	..	–
1500	30.0	..	–
1600	30.0	..	–
2000	30.0	..	–
2500	30.0	..	–
3000	30.0	..	–
3500	30.0	..	–
4000	15.0	..	–
5000	30.0	..	–
6000	30.0	...	–



MCT 600.4			
750	15.0	20.0	–
1000	15.0	20.0	–
1250	30.0	..	–
1500	30.0	..	–
1600	30.0	..	–
2000	30.0	..	–
2500	30.0	..	–
3000	30.0	..	–
3500	30.0	..	–
4000	15.0	..	–
5000	30.0	..	–
6000	30.0	...	–



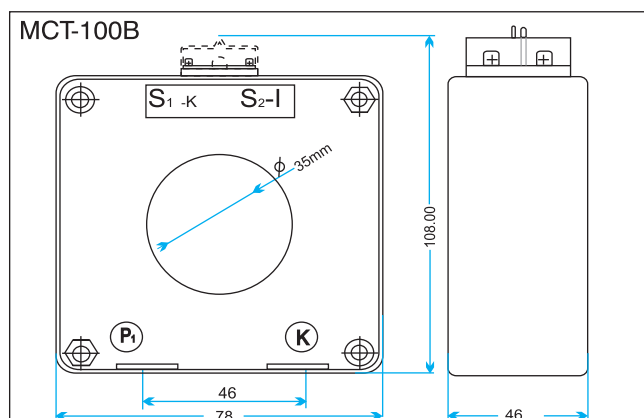
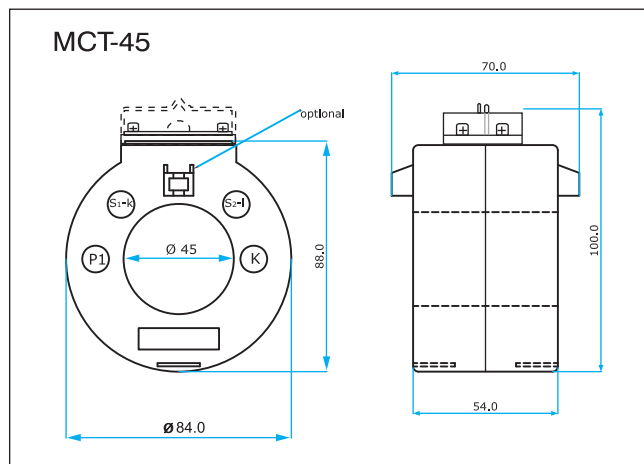
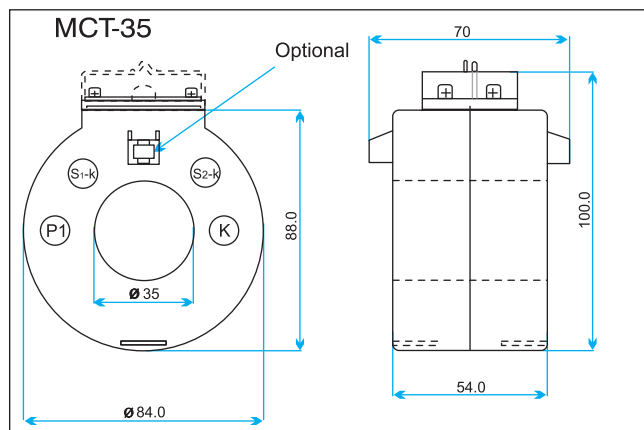
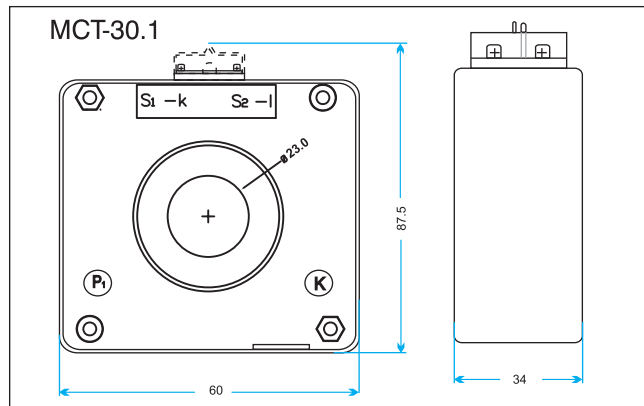
Low Voltage Current Transformers

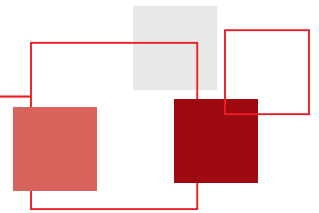
Rated Primary Current	ACCURACY CLASS @ VA		
	0.5	1.0	3.0
MCT-30.1			
50	—	1.25	—
100	2.5	—	—
150	2.5	5.0	—
200	5.0	7.50	—
250	5.0	7.50	—
300	5.00	7.50	—
400	5.00	7.50	—

MCT-35			
100	—	7.5	—
150	5.00	10.0	—
200	10.0	15.0	—
250	10.0	15.0	—
300	10.0	15.0	—
400	10.0	15.0	—
500	15.0	—	—
600	15.0	—	—
800	15.0	—	—

MCT-45			
200	2.50	5.00	—
250	2.50	5.00	—
300	10.0	15.0	—
400	10.0	15.0	—
500	10.0	15.0	—
600	10.0	15.0	—
750	10.0	15.0	—
800	15.0	20.0	—
1000	15.0	20.0	—
1200	15.0	20.0	—

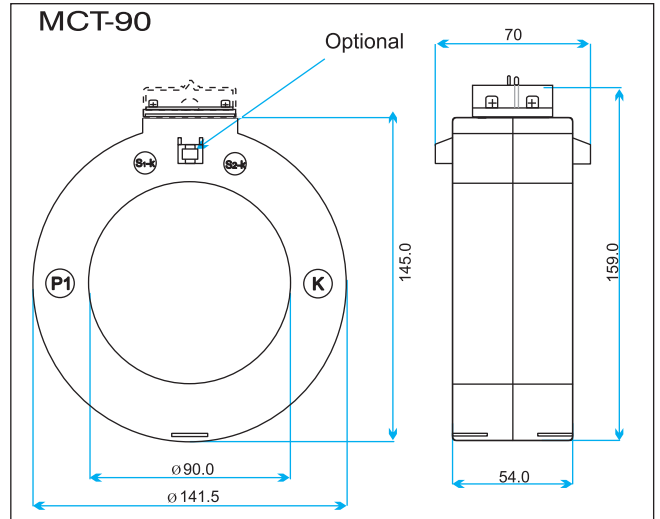
MCT-100B			
50	—	—	1.25
100	1.25	5.00	—
150	2.5	7.50	—
200	10.0	15.0	—
250	10.0	15.0	—
300	10.0	15.0	—
400	10.0	15.0	—
500	10.0	15.0	—
600	10.0	15.0	—
750	10.0	15.0	—



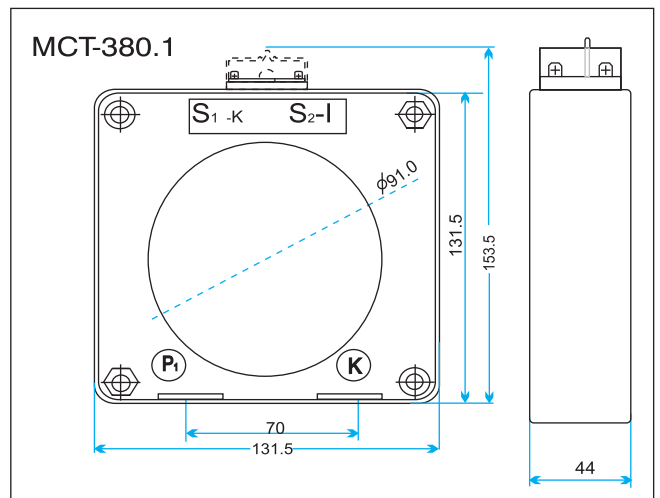


Low Voltage Current Transformers

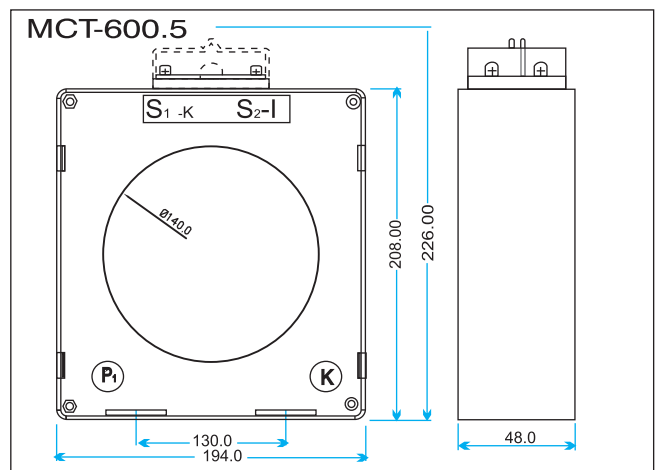
Rated Primary Current	ACCURACY CLASS @ VA		
	0.5	1.0	3.0
MCT-90			
250	5.00	7.50	—
500	5.00	7.50	—
300	10.0	15.0	—
400	10.0	15.0	—
500	10.0	15.0	—
750	10.0	15.0	—
800	10.0	30.0	—
1000	15.0	30.0	—
1200	15.0	30.0	—
1500	15.0	30.0	—
1600	15.0	30.0	—
2000	15.0	30.0	—
2500	15.0	30.0	—
3000	15.0	30.0	—



MCT-380.1			
300	—	7.50	—
400	10.0	15.0	—
500	10.0	15.0	—
750	10.0	15.0	—
800	10.0	15.0	—
1000	15.0	30.0	—
1200	15.0	30.0	—
1500	15.0	30.0	—
1600	15.0	30.0	—
2000	15.0	30.0	—
2500	15.0	30.0	—
3000	15.0	30.0	—



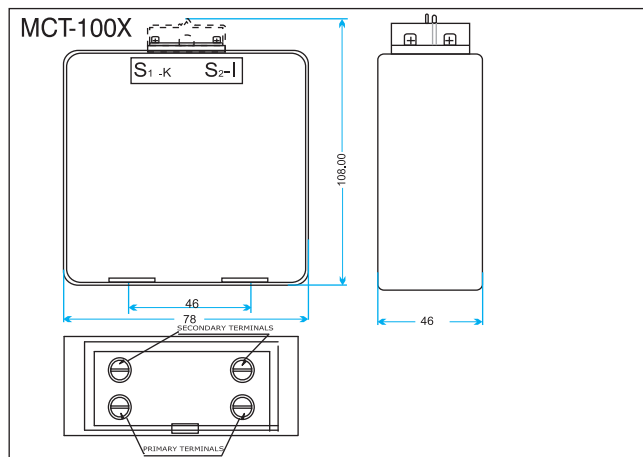
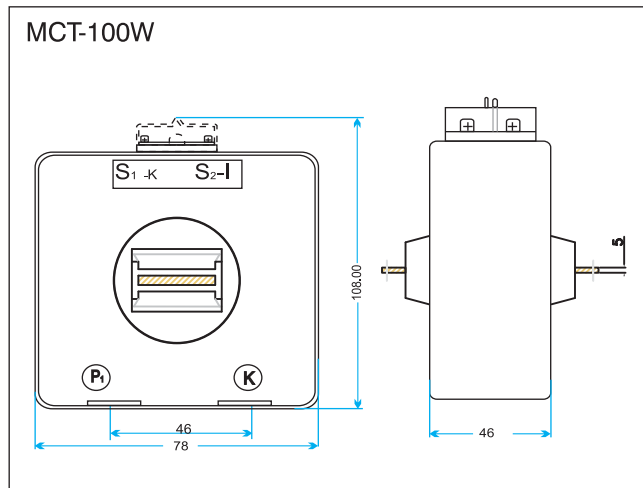
MCT-600.5			
500	10.0	15.0	—
750	15.0	20.0	—
1000	15.0	20.0	—
1250	30.0	..	—
1500	30.0	..	—
1600	30.0	..	—
2000	30.0	..	—
2500	30.0	..	—
3000	30.0	..	—
3500	30.0	..	—
4000	30.0	..	—
4500	15.0	..	—
5000	30.0	..	—
6000	30.0	..	—



Low Voltage Current Transformers

Rated Primary Current	ACCURACY CLASS @ VA		
	0.5	1.0	3.0
MCT-100W			
5	1.25	5.0	—
10	1.25	5.0	—
15	1.25	5.0	—
20	1.25	5.0	—
25	1.25	5.0	—
30	1.25	5.0	—
40	1.25	5.0	—
50	1.25	5.0	—
75	2.5	5.0	—
80	2.5	5.0	—
90	2.5	5.0	—
100	2.5	5.0	—
125	2.5	5.0	—
150	2.5	5.0	—

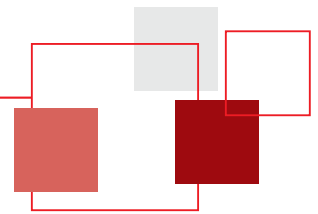
MCT-100X			
5	1.25	5.0	—
10	1.25	5.0	—
15	1.25	5.0	—
20	1.25	5.0	—
25	1.25	5.0	—
30	1.25	5.0	—
40	1.25	5.0	—



★ Non Standard CT Ratio can be provided on request

Accessories (Included in Delivery depends on application)

1. 1 pc. Primary Fixing Device
2. 1 pc. Secondary Terminal Cover
3. 2 pcs. Mounting Feet
4. 1 pc. Insulated Protective Caps for Primary Fixing bolts



SPLIT CORE CURRENT TRANSFORMERS

Split core CTs have a removable section, make installation easier because they can be installed without disconnecting the circuit being measured. Split-core current transformers are available in a range of sizes and rated currents to meet your requirement.

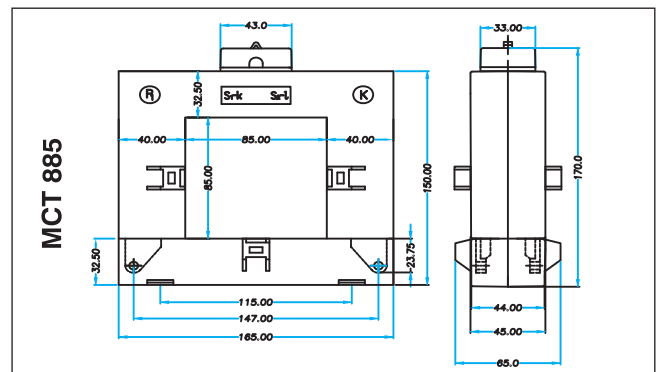
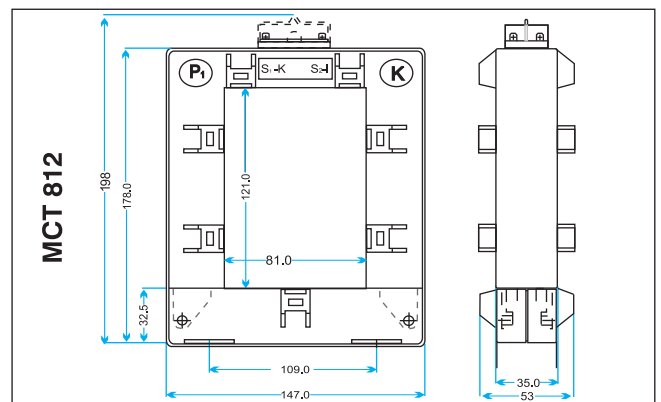
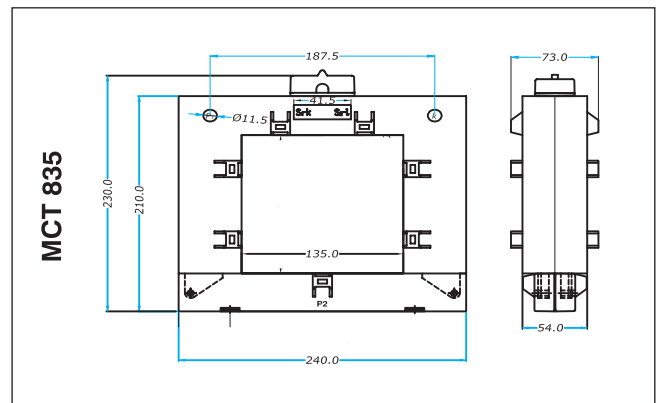
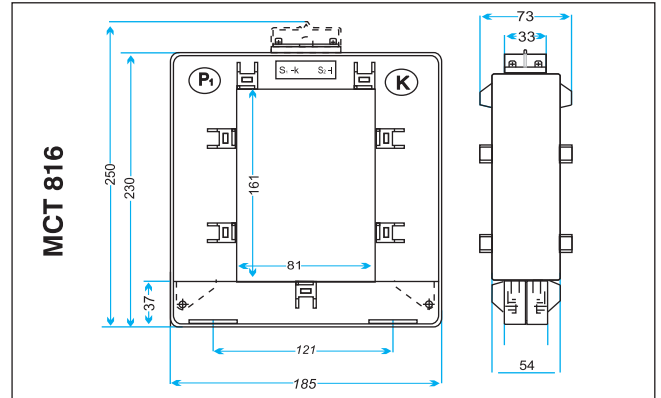


Rated Primary Current	Accuracy Class @ VA		
	0.5	1.0	3.0
MCT-816			
500	--	2.5	--
1000	5.0	10.0	--
1250	10.0	15.0	--
1500	10.0	15.0	--
1600	10.0	15.0	--
2000	10.0	15.0	--
2500	10.0	15.0	--
3000	10.0	15.0	--
3200	10.0	15.0	--
3500	10.0	15.0	--
4000	10.0	15.0	--
5000	10.0	15.0	--

MCT-835			
500	--	2.5	--
1000	5.0	10.0	--
1250	10.0	15.0	--
1500	10.0	15.0	--
1600	10.0	15.0	--
2000	10.0	15.0	--
2500	10.0	15.0	--
3000	10.0	15.0	--
3200	10.0	15.0	--
3500	10.0	15.0	--
4000	10.0	15.0	--
5000	10.0	15.0	--

MCT-812			
500	--	2.5	--
1000	5.0	10.0	--
1250	10.0	15.0	--
1500	10.0	15.0	--
1600	10.0	15.0	--
2000	10.0	15.0	--
2500	10.0	15.0	--

MCT-885			
500	--	2.5	--
1000	5.0	10.0	--
1250	10.0	15.0	--
1500	10.0	15.0	--
1600	10.0	15.0	--
2000	10.0	15.0	--
2500	10.0	15.0	--



Instrument Transformers

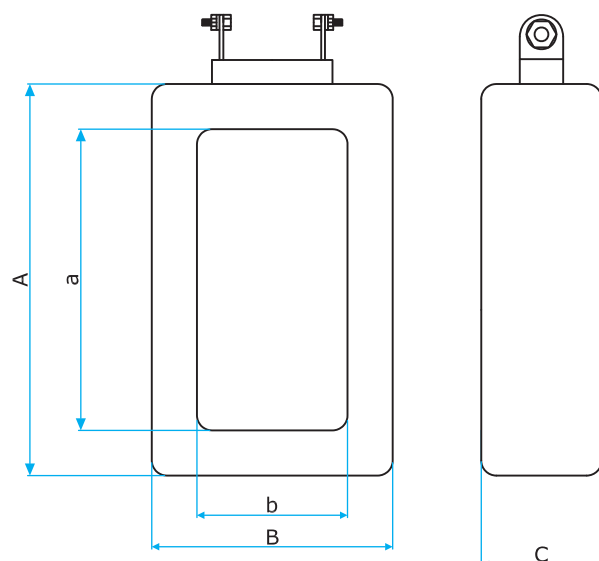
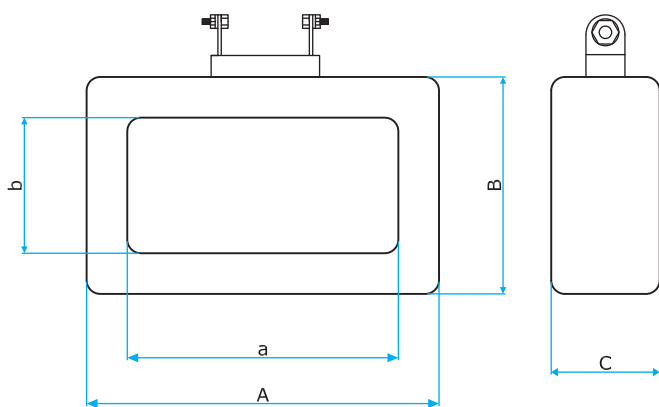
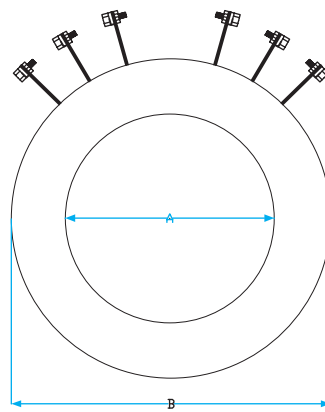
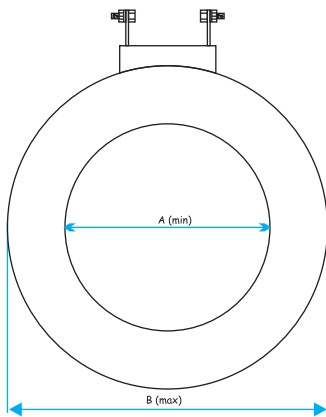
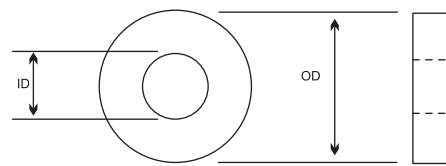
Maximum System Voltage :720 V
 Secondary Current :5A, 1A,1.5A
 Bil : 0.72/3/6 kV
 Extended Range: 120%
 Ref: Standard as per: IEC-60044-1

Thermal Current (Ith) : $I_n \times 60$
 Dynamic Current (Idyn) : $2.6 \times I_{th}$
 Covers: Tape Insulated
 Insulation Class: B

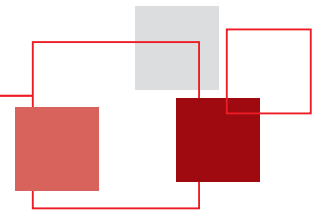


T- Series:

Specialists in tailor-made instrument transformers since 2002, MEMF offer an extensive product range with customized solutions to overcome dimensional problems for non standard applications. Tape insulated current transformers are available for metering and protection application to standard IEC-60044-1/ANSI C57.13.



Note: Please specify A, B & C on your purchase request.



Instrument Transformers

E-Series:

Maximum System Voltage : 720 V

Bil : 0.72/3/10 kV

Extended Range: 120%

Thermal Current (I_{th}) : 40kA/3s

Dynamic Current (I_{dyn}) : 2.6 x I_{th}

Ref: Standard as per: IEC-60044-1

Thermal Class of Insulation : B/Epoxy

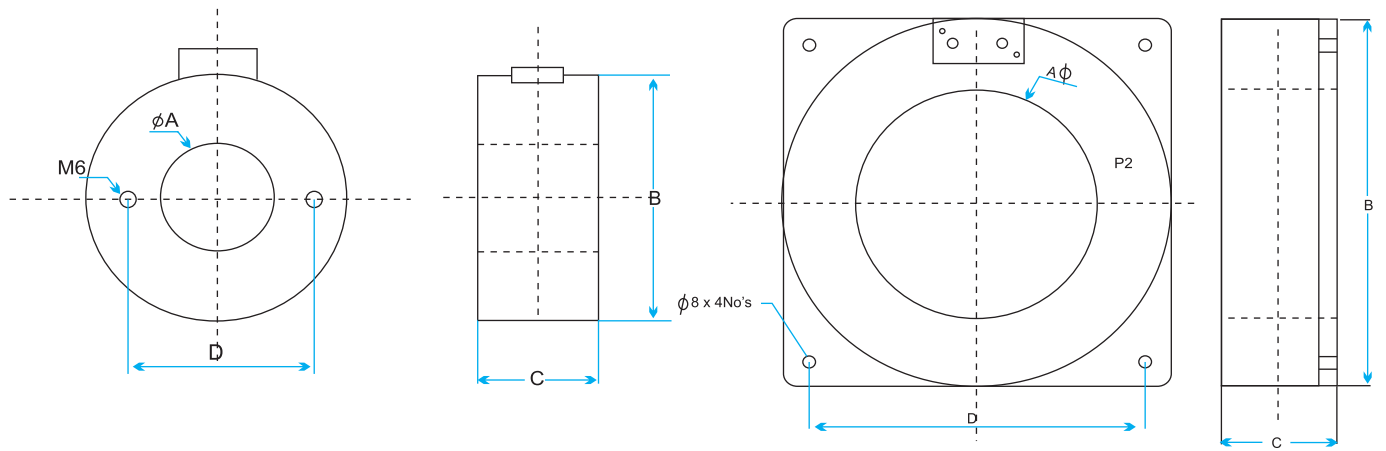
Accuracy Class 0.5 , 5P20 , 5P10,10P10 , PX,TPS

Secondary Current : 5A OR 1A , 1.5

Primary Current up to 5000A

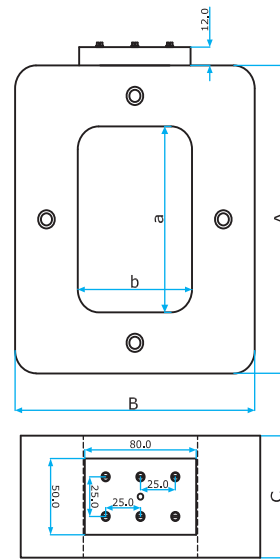
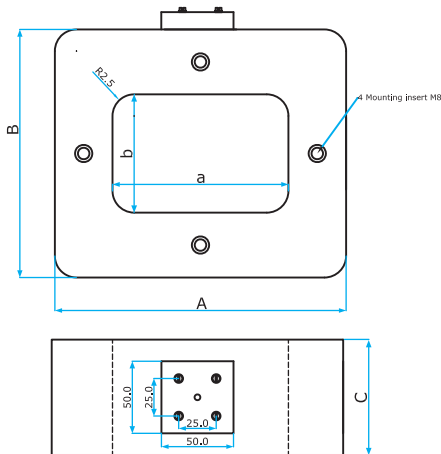


We offer a unique and wide range of Resin Cast Indoor Current Transformers, combined with strong technical support and customer service. MEMF Make current Transformers, which are exceptional resistance to thermal cycling and thermal endurance properties, which qualifies ASTA Certification.



Model	A	B	C	D	E
MCT 65/150E	65	150	70	107.5	M6
MCT 120/230E	120	230	65	175	M6
MCT 120/230E.1	120	230	130	175	M6
MCT 170/250E	170	250	70	210	M6
MCT 60/170E	60	170	200	115	M6
MCT 75/250E	75	250	150	162.2	M6
MCT 75/250E.1	75	250	200	162.2	M6

Model	A	B	C	D
MCT 175/280E	175	280	80	242
MCT 85/195E	85	195	70	167
MCT 85/195E.1	85	195	150	167



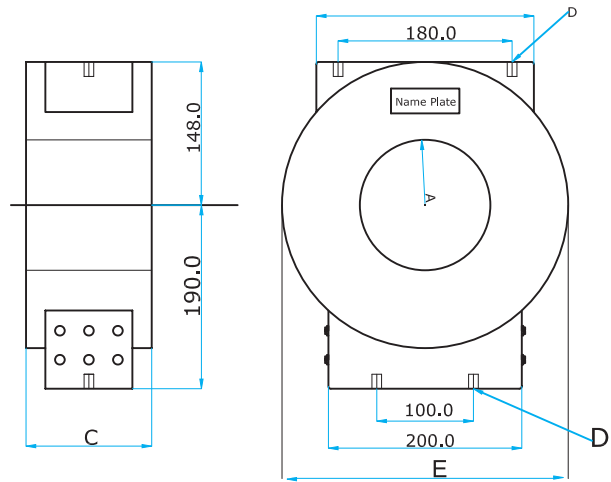
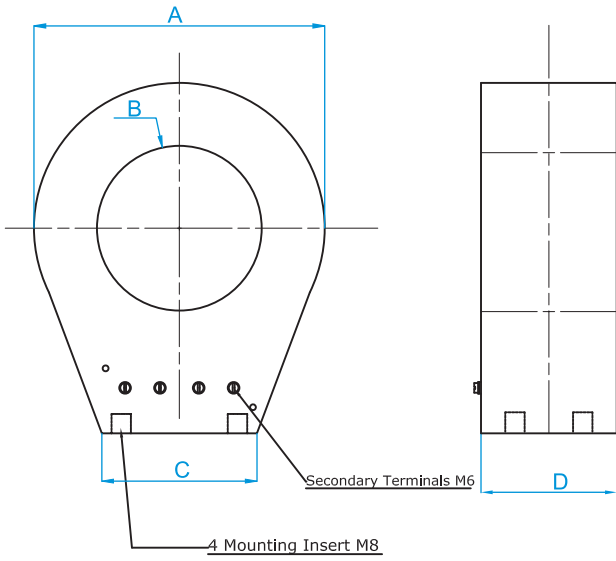
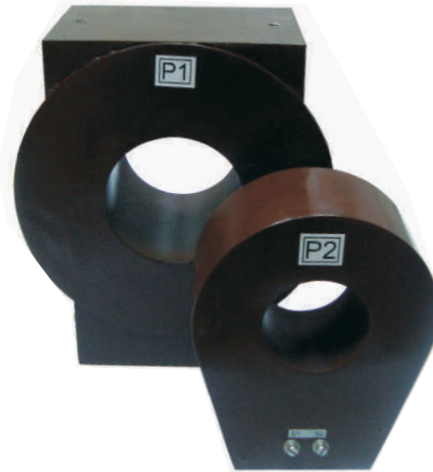
Model No	a	A	b	B	c
MCT52.130E	130	230	52	150	100
MCT32.115E.1	115	215	32	130	120
MCT100.200E	200	300	100	200	100
MCT 100.200E.1	200	350	100	250	265
MCT 35.135E	135	250	35	150	150

Model No	a	A	b	B	c
MCT 32.115E	115	215	32	130	120
MCT 32.160E	160	260	32	130	120
MCT 55.130E.1	130	230	55	155	150
MCT 52.130E.1	130	230	52	150	100

* Special Moulds can be developed on request.

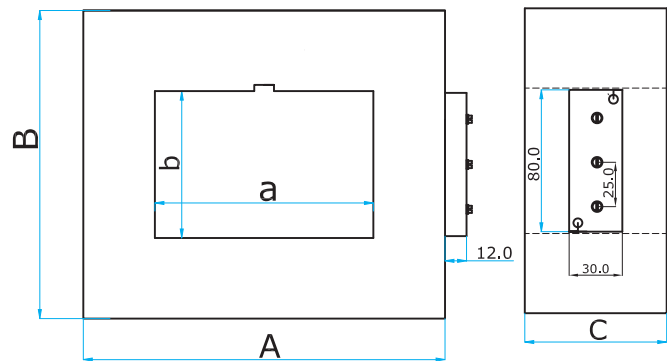
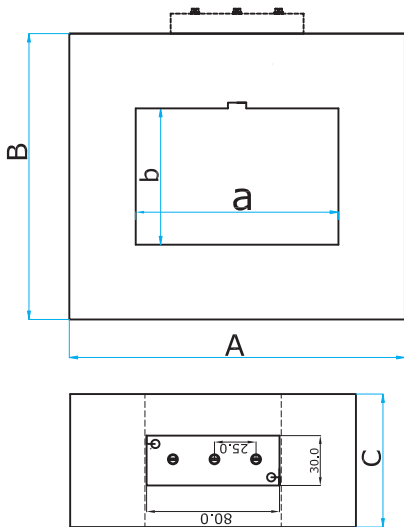
Instrument Transformers

E-Series:



Model No	A	B	C	D
ME-85/195	195	85	120	90

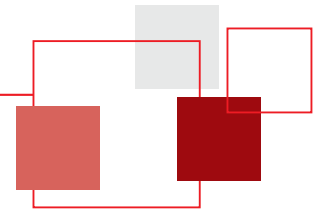
Model No	A	B	C	D
MCT-127/296E	127	296	130	M10
MCT-127/296E.1	127	296	155	M10
MCT-127/296E.2	127	296	185	M10



Model No.	a	A	b	B	c
MCT-30.68E	68	155	30	110	55
MCT-55.130E.2	130	230	55	155	60

Model No.	a	A	b	B	c
MCT-55.130E	130	230	55	155	60
MCT-30.68E.1	68	155	30	110	55

* Special Moulds can be developed on reque



Medium Voltage Current and Voltage Transformers

Medium Voltage Current transformers as per IEC-60044-1

Short Circuit Parameters: Up to 40kA/3Sec.

Frequency : 60/50 Hz.

BIL : Up to 38/70/170kV

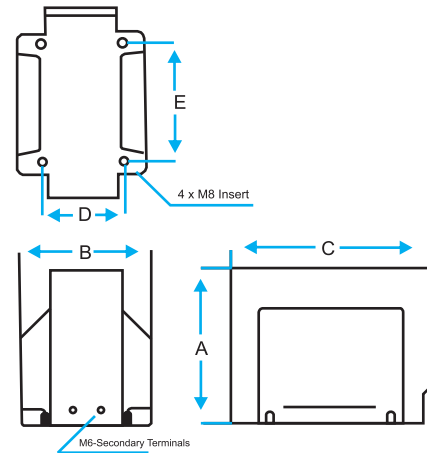
Temperature: 55 C°

Thermal Withstand: 120%



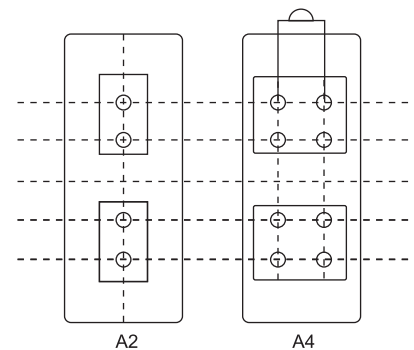
MV Current Transformers- ME Series

Type	BIL(Kv)	Weight(Kg)	Amm	B mm	C mm	D mm	E mm
ME 131	17.5/38/95	16	220	178	190	128	104
ME 132	17.5/38/95	21	220	178	250	128	138
ME 231	17.5/38/95	19	250	178	190	128	104
ME 244	17.5/38/95	34	250	198	350	128	238
ME 454	36/70/170	45	360	228	350	128	238

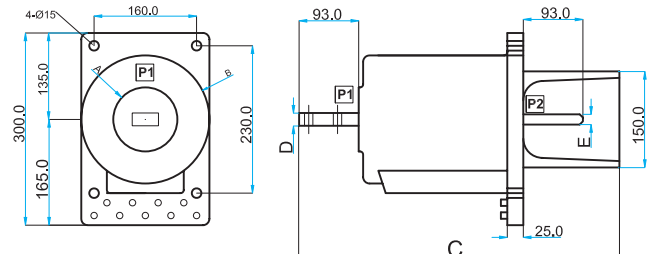
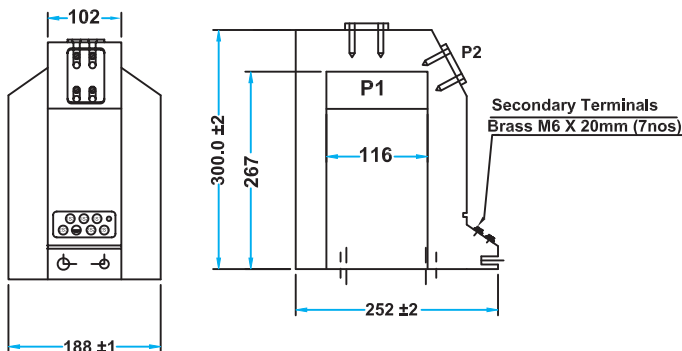


Primary terminals table

Tp	Single ratio Primary		
	Up to 600A	800-1200A	1500-300A
C	F	F	F
mm	mm	mm	mm
150	70	-	-
190	70	50	50
250	120	70	70
300	120	120	120
350	170	170	170



MV Current Transformer ME-MOW1



Model No	A	B	C	D	E
ME-200-Spout	100	200	500	24	16
ME-200-Spout.1	100	200	500	8	8

- ★ Installation
 - Primary Terminal: M12 with 23 mm useful depth
 - Tightening torque for primary terminals: 50Nm
 - Special Moulds can be developed on request.

Indoor Medium Voltage Potential Transformers Single & Double Pole

MEDIUM VOLTAGE POTENTIAL TRANSFORMERS AS PER IEC-60044-2

Frequency : 60/50 Hz.

BIL : Up to 38/70/170kV

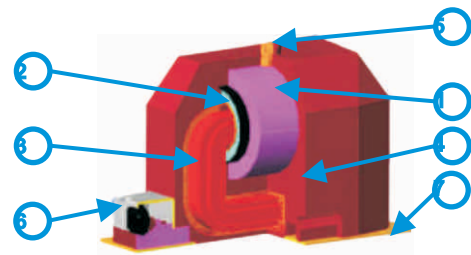
Temperature: 55 C°

Voltage factor: 1.2



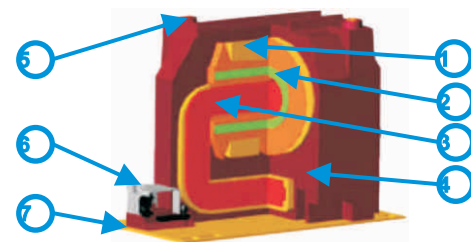
SINGLE POLE VOLTAGE TRANSFORMER

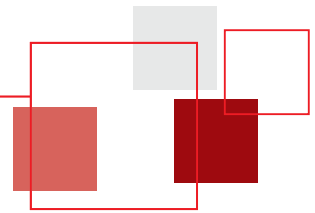
1. High voltage winding
2. Low voltage winding
3. Magnetic core
4. Epoxy resin housing, insulation
5. High voltage terminal (primary winding)
6. Terminal box of the low voltage terminals (secondary windings)
7. Steel base plate with earthing terminal



DOUBLE POLE VOLTAGE TRANSFORMER

1. High voltage winding
2. Low voltage windings
3. Magnetic core
4. Epoxy resin housing, insulation
5. High voltage terminal (Primary winding)
6. Terminal box of the low voltage terminals (secondary windings)
7. Steel base plate with earthing terminal





MEMF Industrial Control Transformers

Broad voltage coverage allows the user to meet a wide variety of applications regardless of the available voltage supply level. So you won't need to know the available supply voltage in order to select the best transformer solution to meet your application needs. In many applications, details such as the available supply voltage may be difficult to obtain and can often delay a project due to the lack of information. When using the MEMF make Control Transformer, you only need to know the size requirements of the application. For designers working on export projects, this feature can be quite valuable. MEMF Control Transformer units are available in sizes ranging from 25 through 3000 VA and above.

Features

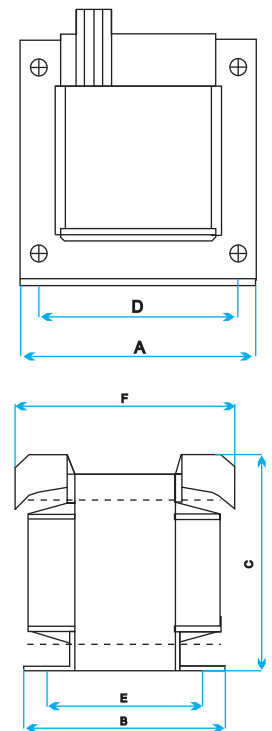
- Stocked in a wide variety of sizes
- Available with IP00 , IP20 Class
- Competitively priced with other control power transformers on the market
- Approved By SEC in many projects
- Manufactured in ISO9001:2008 approved manufacturing facility

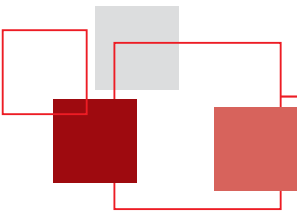
SINGLE PHASE CONTROL TRANSFORMER

- Frequency: 50-60Hz
- Protection:.....IP-00
- Isolation:Class B-130 C⁰
- Windings:..... Copper/Aluminum Class HC-200 C⁰
- Safety Class:..... 3kV(1min,50-60Hz) Primary-Secondary
-3kV (1min,50-60Hz) Primary-Earth
-3kV (1min,50-60Hz) Secondary-Earth
- Standard:IEC61558/IEC-60076
- Input/Output Voltage.... 12,24,110,115,120,127,220,380,400,415,460,480



Single Phase Control Transformer Series MVT								
Model	Rating VA	A (mm)	B (mm)	C (mm)	D (mm)	E (mm)	F(mm)	Weight (kg)
MVT25	25	86	85	91	72	70	68	2
MVT50	50	86	85	91	72	70	68	2
MVT75	75	86	95	91	72	80	77	2.5
MVT100	100	86	95	91	72	80	77	2.5
MVT150	150	105	99	105	88	83	87	3.0
MVT200	200	105	99	105	88	83	87	3.0
MVT250	250	105	99	105	88	83	87	3.0
MVT300	300	105	99	105	88	83	87	3.0
MVT400	400	120	102	127	90	95	97	5.5
MVT500	500	120	122	117	90	109	111	7.0
MVT600	600	150	113	141	12	89	90	8.0
MVT750	750	150	129	141	122	104	105	10
MVT1000	1000	192	153	141	122	128	130	14
MVT1250	1250	192	144	200	130	126	128	22
MVT1500	1500	192	166	200	130	148	150	24
MVT2000	2000	192	178	200	130	160	162	26
MVT2500	2500	192	193	200	130	175	176	29
MVT3000	3000	200	160	250	175	120	160	30
MVT5000	5000	250	190	300	140	150	150	31.5
MVT7500	7500	280	200	350	180	150	185	37.5
MVT10,000	10,000	275	215	360	175	185	185	45
MVT15,000	15,000	320	235	400	200	195	200	59





LOW VOLTAGE SINGLE PHASE CAST RESIN CONTROL TRANSFORMER

Frequency:.....50-60Hz
 Protection:IP-20
 Safety Class:Class 1
 Insulation :.....Class B
 Windings:.....Copper ,Class HC-200 C°
 Test Voltage :3kV (1min,50-60Hz) Primary -Secondary
 Standards:.....IEC 61558/IEC 60076



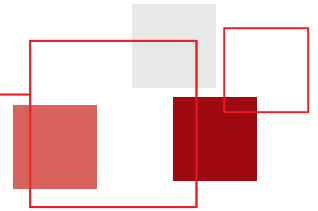
Single Phase Cast Resin Control Transformers Series-MCTRL-E							
Model	Rating VA	A (mm)	B (mm)	C (mm)	D (mm)	E (mm)	Weight (kg)
MCTRL-25E	25	50	97	74	80	34	0.76
MCTRL-50E	50	75	96	85	80	56	1.3
MCTRL-100E	100	75	96	100	80	56	1.8
MCTRL-150E	150	84	102	110	86	65	2.7
MCTRL-200E	200	96	112	106	96	77	3.2
MCTRL-250E	250	96	112	116	96	77	3.7

LOW VOLTAGE SINGLE PHASE CONTROL TRANSFORMER

Frequency:..... 50-60Hz
 Protection:.....IP-20
 Enclosure:.....Polymer,Non Flammable V-0 According to UI94
 Mounting:.....DIN Rail up to 250VA
 Isolation:.....Class B-130 C
 Windings:..... Copper, Class HC-200 C°
 Safety Class:Class 1
 Test Voltage 3kV (1min, 50-60Hz) Primary-Secondary
 Includes:LED Indicator
 Standards: IEC 61558/IEC 60076



Single Phase Control Transformer Series-MCTRL							
Model	Rating VA	A (mm)	B (mm)	C (mm)	D (mm)	E (mm)	Weight (kg)
MCTRL-25	25	84	101	98	88	55	1.1
MCTRL-50	50	84	101	98	88	55	1.6
MCTRL-100	100	106	123	118	110	74	2.3
MCTRL-150	150	106	123	118	110	74	2.7
MCTRL-200	200	106	123	118	110	74	3.3
MCTRL-250	250	118	138	131	121	88	4.1



LOW VOLTAGE MEASURING POTENTIAL TRANSFORMERS.

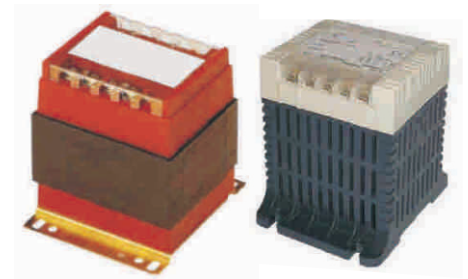
Potential transformers are designed for supplying measuring and protective circuits of electrical power devices. MEMF make potential Transformers are available in Resin cast, poly encapsulation and open Type to meet customer needs.

FEATURES

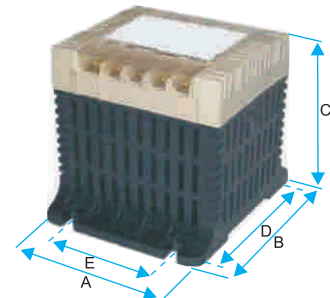
- Available with IP00 , IP20 Class
- Competitively priced with other control power transformers on the market
- Approved By SEC in many projects
- Manufactured in ISO9001 approved manufacturing facility

SINGLE PHASE MEASURING TRANSFORMER

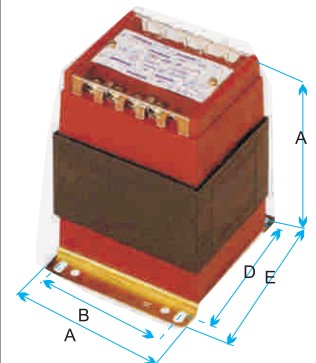
Frequency:..... 50-60Hz
 Protection:..... IP-20
 Enclosure:..... Polymer,Non Flammable V-0 According to UI94
 Over Voltage :..... 1,2 Un (Continuous)
 Thermal Rating:..... 6 In
 Ambient Termerature: 55 C°
 Insulation:.....Class B
 Windings:.....Class HC-200 C°
 Test Voltage 3kV (1min, 50-60Hz)
 Standards: IEC 60044-2



Single Phase Potential Transformers Series-MPT								
Model	Rating VA Class 0.5	Rating VA Class 1	A (mm)	B (mm)	C (mm)	D (mm)	E (mm)	Weight (kg)
MPT-5	5	7.5	106	123	118	110	74	3.3
MPT-10	10	15	118	138	131	121	88	4.1
MPT-15	15	25	136	138	131	145	88	4.9
MPT-30	30	50	136	162	156	145	104	5.8
MPT-50	50	75	136	162	156	145	104	6.8
MPT-75	75	100	136	162	156	145	104	8.6
MPT-100	100	150	136	162	180	145	104	10.0
MPT-150	150	200	199	220	242	188	175	22.0
MPT-200	200	300	199	220	282	188	175	27.6



Single Phase Potential Transformers Series-MPT-E								
Model	Rating VA Class 0.5	Rating VA Class 1	A (mm)	B (mm)	C (mm)	D (mm)	E (mm)	Weight (kg)
MPT-5E	5	7.5	96	112	116	96	77	3.7
MPT-10E	10	15	108	122	125	106	89	4.7
MPT-15E	15	25	108	122	135	106	89	5.4
MPT-30E	30	50	126	145	147	125	102	7.1
MPT-50E	50	75	126	145	167	125	102	9.1
MPT-75E	75	100	126	145	177	125	102	10.3
MPT-100E	100	150	150	165	180	145	125	13.3
MPT-150E	150	200	150	165	190	145	125	14.8
MPT-200E	200	300	150	165	210	145	125	16.9

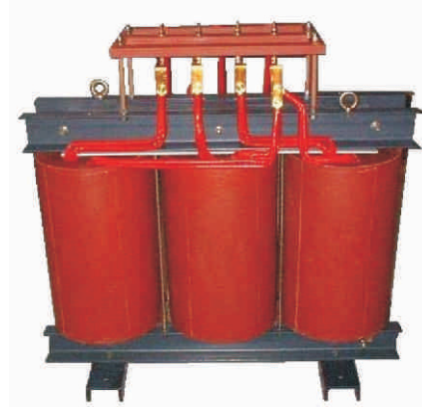


THREE PHASE VOLTAGE STABILISER

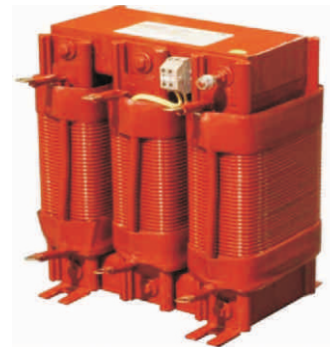
Accuracy:..... 1%
 Output voltage regulation: 4% by frontal adjustment knob
 Protection degree:..... IP-20
 Enclosure:..... Metal, epoxy polyester painted, grey RAL7032
 Efficiency:..... >96%
 Regulation speed:..... >10 V/s
 Safety class:..... Class I
 Noise level:..... <45dB
 Standards:..... IEC/EN 60439, CE
 Includes:..... Output voltmeter, MCB, signal lamp

**THREE PHASE CAST RESIN TRANSFORMER**

Protection degree:.... IP-00
 Cover:..... Cast resin
 Frequency:..... 60Hz
 Ambient temperature:.. 55°C
 Cooling:..... AN
 Terminals:..... Copper bus bars
 Insulation:..... Class H
 Windings:..... Class HC-200°C
 Isolation voltage:... 22 kV
 Test voltage:..... 3 kV (1 min, 60 Hz)
 Standards:..... IEC/EN60726, IEC/EN 60076, CE
 Includes:..... Lifting eyebolts

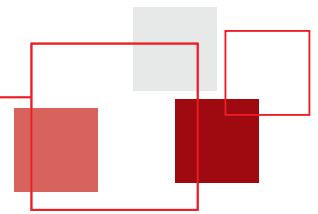
**FILTERING INDUCTOR FOR CAPACITOR BANKS**

Isolations	Class F
Windings	Copper, Class HC 200 C
Terminals	Copper Cable Terminals
Test Voltage	3kV(1min,60Hz)
Harmonic Currents	13=8%, 15=31%, 17=13%
Thermal overload factor	5%
Over Current	6%
Tolerance	3%
Protection degree	IP-00
Ambient Temperature	40 C
Temperature	<90 C
Standards	IEC/EN 60289, CE
Optional	Bimetal Temperature sensor, 120 C nc

**SINGLE & THREE PHASE MANUAL CAST RESIN VARIABLE AUTOTRANSFORMER**

Frequency:..... 50-60 Hz
 Protection:..... IP-00
 Regulation:..... Manual
 Insulation:..... Class B
 Windings:..... Class HC-200°C
 Test voltage:..... 3 kV (1 min, 60 Hz)
 Standards:..... IEC/EN60989
 Includes:..... Regulation button, scale





CERTIFICATE OF APPROVAL

This is to certify that the Quality Management System of:

Middle East Electrical Meter Factory Co.
New industrial area, Stage-2, Street No. 179
Riyadh
Saudi Arabia

has been approved by Lloyd's Register Quality Assurance
to the following Quality Management System Standards:

ISO 9001:2008

The Quality Management System is applicable to:

**Manufacturing various kinds of Energy Meters, Moulded
Case Circuit Breakers, Miniature Circuit Breakers and
Instrument Transformers.**

Approval
Certificate No: MEA3105024

Original Approval: 18 November 2003

Current Certificate: 30 October 2012

Certificate Expiry: 17 November 2015

Issued by: Lloyd's Register Quality Assurance Limited



This document is subject to the provision on the reverse
Festival Office Tower, Suite 2001, Dubai Festival City, Dubai
71 Fenchurch Street, London EC3M 4BS United Kingdom. Registration number 1879370
This approval is carried out in accordance with the LRQA assessment and certification procedures and monitored by LRQA.
The use of the UKAS Accreditation Mark indicates Accreditation in respect of those activities covered by the Accreditation Certificate Number 001

Certificate No. 15749

ASTA CERTIFICATION SERVICES

(Incorporated in the year 1938) ASTA House, Chestnut Field, Rugby, CV21 2TL, England

Laboratory Ref. No. 101842AC

CERTIFICATE OF TYPE TESTS

APPARATUS: Five window-type measuring 0.72/3/- kV (Um/Insulation level), single ratio measuring current transformers.

DESIGNATION: MCT600 3000/5 CI 0.5 10VA 50-60 Hz, MCT500 3000/5 CI 0.5 10VA 50-60 Hz, MCT400 2000/5 CI 0.5 10VA 50-60 Hz, MCT380 500/5 CI 0.5 10VA 50-60 Hz and MCT100B 200/5 CI 0.5 10VA 50-60 Hz.

MANUFACTURER: Middle East Electric Meter Factory
PO Box 61891, 11nd Industrial City, 3rd Stage, Riyadh 11575
Kingdom of Saudi Arabia.

TESTED BY: Testing & Certification Australia
18 Mars Road Lane Cove NSW 2066 Australia

DATE(S) OF TESTS: 13 May to 29 June 2004

The apparatus, constructed in accordance with the description, drawings and photographs incorporated in this certificate has been subjected to the series of proving tests in accordance with

IEC Publication 60044-1:2003 Consolidated Edition 1.2 and BSEN 60044-1:1999 with Amendments No. 1 and 2, Clauses 7.1, 7.2, 8.3, 8.4, 11.3 and 11.4

The results are shown in the record of Proving Tests and the oscillograms attached hereto. The values obtained and the general performance are considered to comply with the above Standard(s) and to justify the ratings assigned by the manufacturer as stated below.

Rated short-time thermal and dynamic current (Clause 7.1)

$I_{th} = I_n \times 60$, up to a maximum of 40 kA for 1s, 100 kA peak.

MCT600, MCT500 and MCT400

: 40 kA for 1 s, 100 kA peak

MCT380

: 30 kA for 1 s, 75 kA peak

MCT100B

: 12 kA for 1 s, 30 kA peak

Rated continuous thermal current

(Extended range 120% of rated primary current) (Clauses 7.2 and 11.3)

MCT600 3000/5 and MCT500 3000/5

: 3600 A

MCT400 2000/5

: 2400 A

MCT380 500/5

: 600 A

MCT100B 200/5

: 240 A

Power-frequency withstand and Inter-turn overvoltage tests

(Clauses 8.3 and 8.4)

: Complied

Accuracy of measuring current transformers (Clause 11.4)

MCT600, MCT500, MCT400, MCT380 and MCT100B

: Class 0.5

The record of Proving Tests applies only to the apparatus tested. The responsibility for conformity of any apparatus having the same designations with that tested rests with the Manufacturer.

This Certificate comprises 17 pages, 1 diagram, 3 oscillograms, 16 photographs, 7 drawings and no other sheets, as detailed on 1 page.

Only integral reproduction of this Certificate, or reproductions of this page accompanied by any page(s) on which are stated the assigned rated characteristics of the apparatus tested, are permitted without written permission from ASTA Certification Services, ASTA House, Chestnut Field, Rugby, CV21 2TL England. (see overleaf)

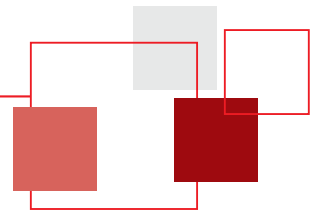


010

M. E. Andrews M. E. Andrews
ASTA Observer

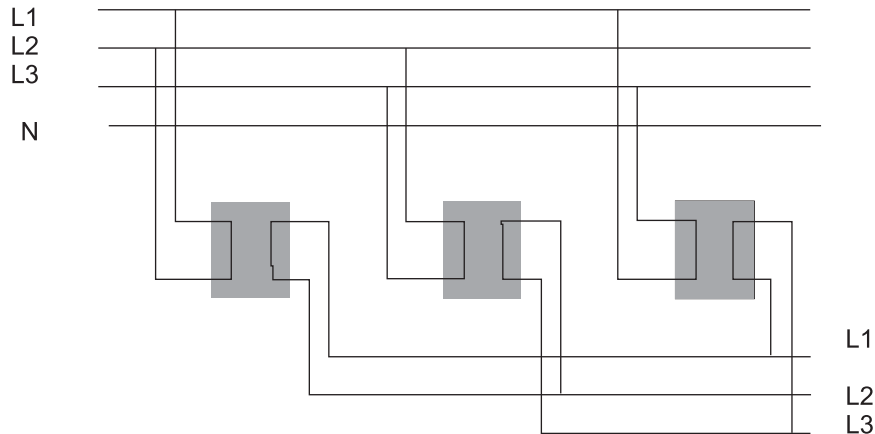
C. Kirk-Lewis C. Kirk-Lewis
DIRECTOR

2nd November 2004 2nd November 2004
Date

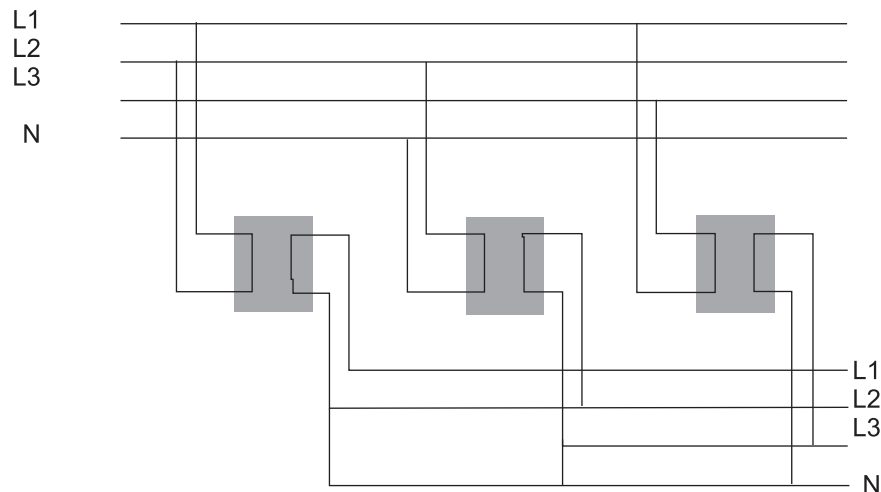


Connection scheme single phase measuring transformers for three phase application

Ddo connection:



Yyn0 connection:



ORDERING INFORMATION

Metering Current Transformers

- ✓ Current Transformer Ratio
- ✓ Burden
- ✓ Accuracy Class
- ✓ MEMF Model / Dimensions
- ✓ Basic Insulation Level

Potential Transformers

- ✓ Voltage Ratio
- ✓ Burden
- ✓ Accuracy Class
- ✓ MEMF Model / Dimensions
- ✓ Basic Insulation Level

Protection Current Transformers

- ✓ CT Ratio
- ✓ Burden
- ✓ Accuracy Class
- ✓ Knee Point Voltage
- ✓ Imag
- ✓ Rct
- ✓ MEMF Model/Dimensions
- ✓ Basic Insulation Level



شركة ميمف للصناعات الكهربائية

MEMF Electrical Industries Co.

P.O. Box 355989 Riyadh 11383 Kingdom of Saudi Arabia

Factory Tel.: 00 966 11 265 0515 (8 Lines)-Fax.: 00 966 11 265 0360

Head Office Tel. : 00 966 11 496 6667 - Fax. : 00 966 11 491 7919

ص.ب ٣٥٥٩٨٩ الرياض ١١٣٨٣ المملكة العربية السعودية

مصنع هاتف: ٠٥١٥ ١١ ٢٦٥ ٩٦٦ (٨ خطوط) - فاكس: ٠٣٦٠ ١١ ٢٦٥ ٩٦٦

مكتب الرئيسي هاتف: ٤٩٦٦٦٦٧ ١١ ٩٦٦ ٠٠ - فاكس: ٤٩١٧٩١٩ ١١ ٩٦٦ ٠٠

Web site: www.memf.com.sa

البريد الإلكتروني sales.memf@kfbgroup.com.sa